

## WARRANTY INFORMATION

Our product is guaranteed to be free from quality and manufacturing defects for a period of 12 months.

If your product becomes defective during this period, Rebel Sport Limited will offer you either a replacement, credit or refund where a product is faulty; wrongly described; different from the sample shown to you or do not do what they are supposed to do.

This warranty will not cover substantially modified product; misuse or abuse of the product contrary to user instructions or packaging label; change of mind and normal wear and tear.

Our goods come with guarantees that cannot be excluded under the Australian Consumer Law. You are entitled to a replacement or refund for a major failure and for compensation for any other reasonably foreseeable loss or damage. You are also entitled to have the goods repaired or replaced if the goods fail to be of acceptable quality and failure does not amount to a major failure.

To claim the warranty, take the product to the front Service Desk of your nearest Rebel store. You will need to show receipt or other proof of purchase. Additional information may be required to process your claim. Should you not be able to provide proof of purchase with a receipt or bank statement, identification showing name, address and signature may be required to process your claim.

Any expenses relating to the return of your product to the store will normally have to be paid by you. For online store purchases, Rebel Sport Limited will pay for the return freight for any product assessed as having a major failure.

The benefits to the customer given by this warranty are in addition to other rights and remedies of the Australian Consumer Law in relation to the goods or services to which this warranty relates.

This warranty is provided by Rebel Sport Limited A.C.N.003 283 823, IBC Business Estate, Level 1,29-33 Carter St., Lidcombe, NSW 2141,Australia.Phone:1300 654 502.Email:orders@rebelsport.com.au.

AFFIX RECEIPT  
(STAPLE HERE)



FILL OUT THIS CARD AND KEEP IT. IN THE EVENT THE PRODUCT DOES NOT PERFORM AS YOU EXPECT, TAKE THIS WITH YOU TO OUR STORE, TO HELP US RESPOND TO YOUR WARRANTY CLAIM.

Your name:

Phone / E-mail:

Store of purchase:

Purchase date:

Product name:

Model number:

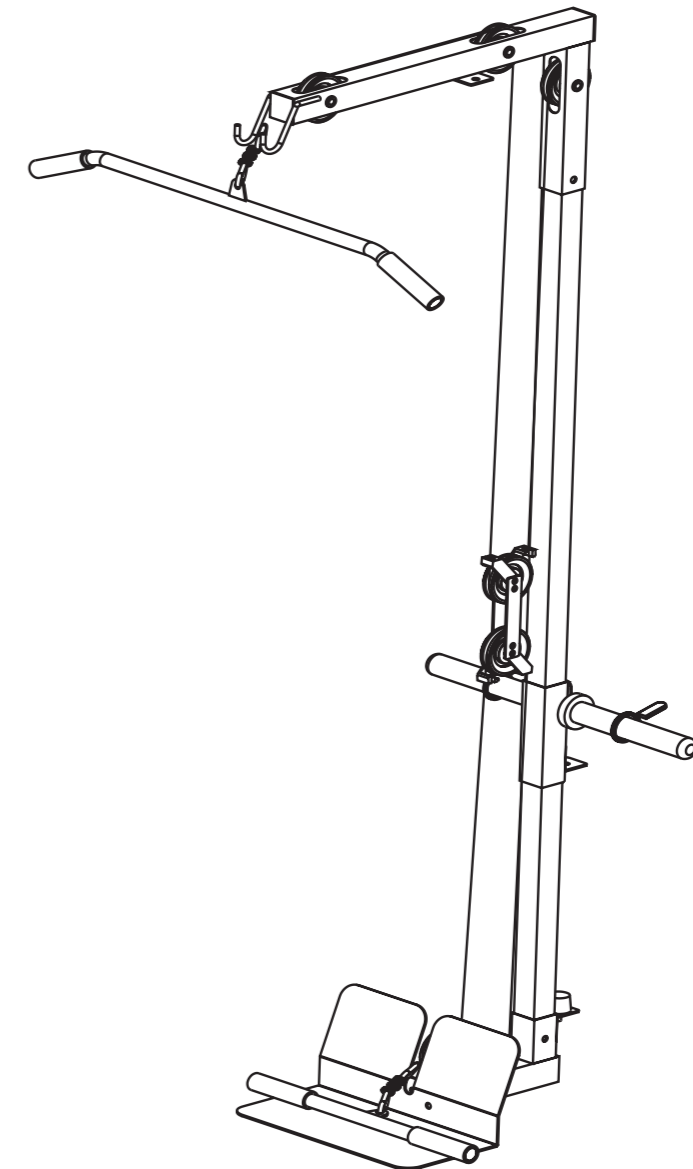
Batch Number:

Fault description:

Manufactured and packaged for  
Rebel Sport Limited A.C.N 003 283 823  
IBC Business Estate  
Level 1, 29-33 Carter Street  
Lidcombe NSW 2141, Australia  
MADE IN CHINA



# RK2 LAT ATTACHMENT



# USER MANUAL

# CONTENTS

## RK2 Lat Attachment

Precautions.....	01
Part Identification Chart.....	02
Part List.....	03
Exploded View Drawing .....	04
Assembly Step.....	05

### **WARNING**

To reduce the risk of serious injury, read all important precautions and instructions in this manual and all warnings on your device before using your device.

Model name: RK2 Lat Attachment

Batch number:

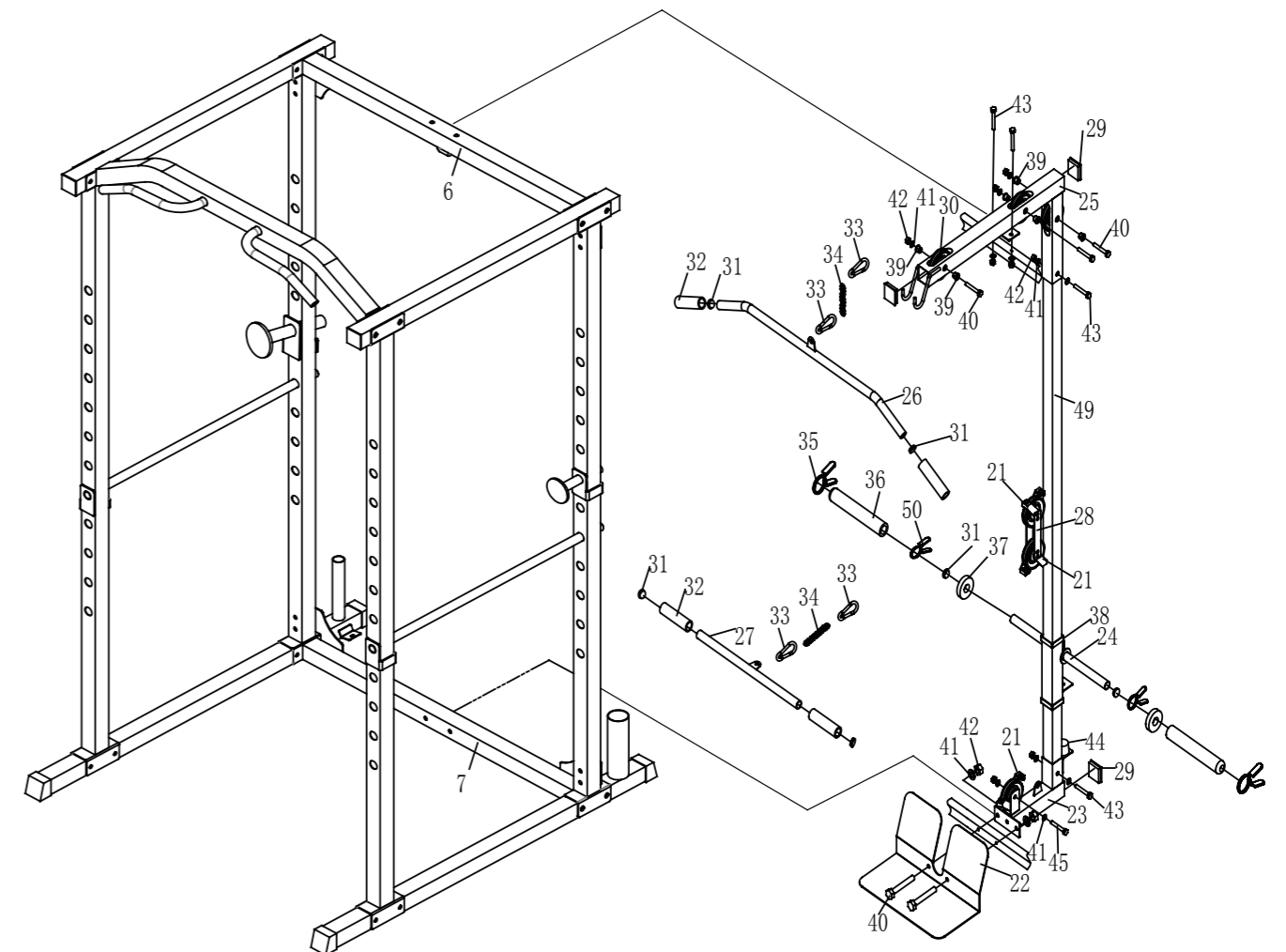
These details can be found on the underside of your product.

# PRECAUTIONS

## RK2 Lat Attachment

### **WARNING**

The RK2 lat attachment is part of RK2 full rack system, and can be used only with that Rack.



**Note: Do not place more than 75kg on the sliding weight post.**

# PART IDENTIFICATION CHART

## RK2 Lat Attachment

				
21 Pulley Shield 5PCS	22 Tread Plate 1PC	23 Lifting Frame Assembly 1PC	24 Sliding Weight Post 1PC	25 Upper Pulley Assembly 1PC
				
26 Lat Bar 1PC	27 Short Lat Bar 1PC	28 Pulley Plate 2PCS	29 50mm Square Inner Cap 3PCS	30 Pulley 6PCS
				
31 25mm Round Inner Cap 6PCS	32 Short Foam 4PCS	33 Pothook 6PCS	34 Chain 2PCS	35 Big Butterfly Clip 2PCS
				
36 Olympic Set 2PCS	37 Rubber Bumper 2PCS	38 Insulating Sleeve 2PCS	39 Bushing 6PCS	40 M10 x 70mm Bolt 5PCS
				
41 M10 Washer 18PCS	42 M10 Locknut 12PCS	43 M10 x 65mm Bolt 4PCS	44 Cone-shaped Cushion 1PC	45 M10 x 45mm Bolt 3PCS
				
46 Long Wire Rope 1PC	47 Short Wire Rope 1PC	48 M10 Nut 1PC	49 Regulating Tube 1PC	50 Small Butterfly Clip 2PCS

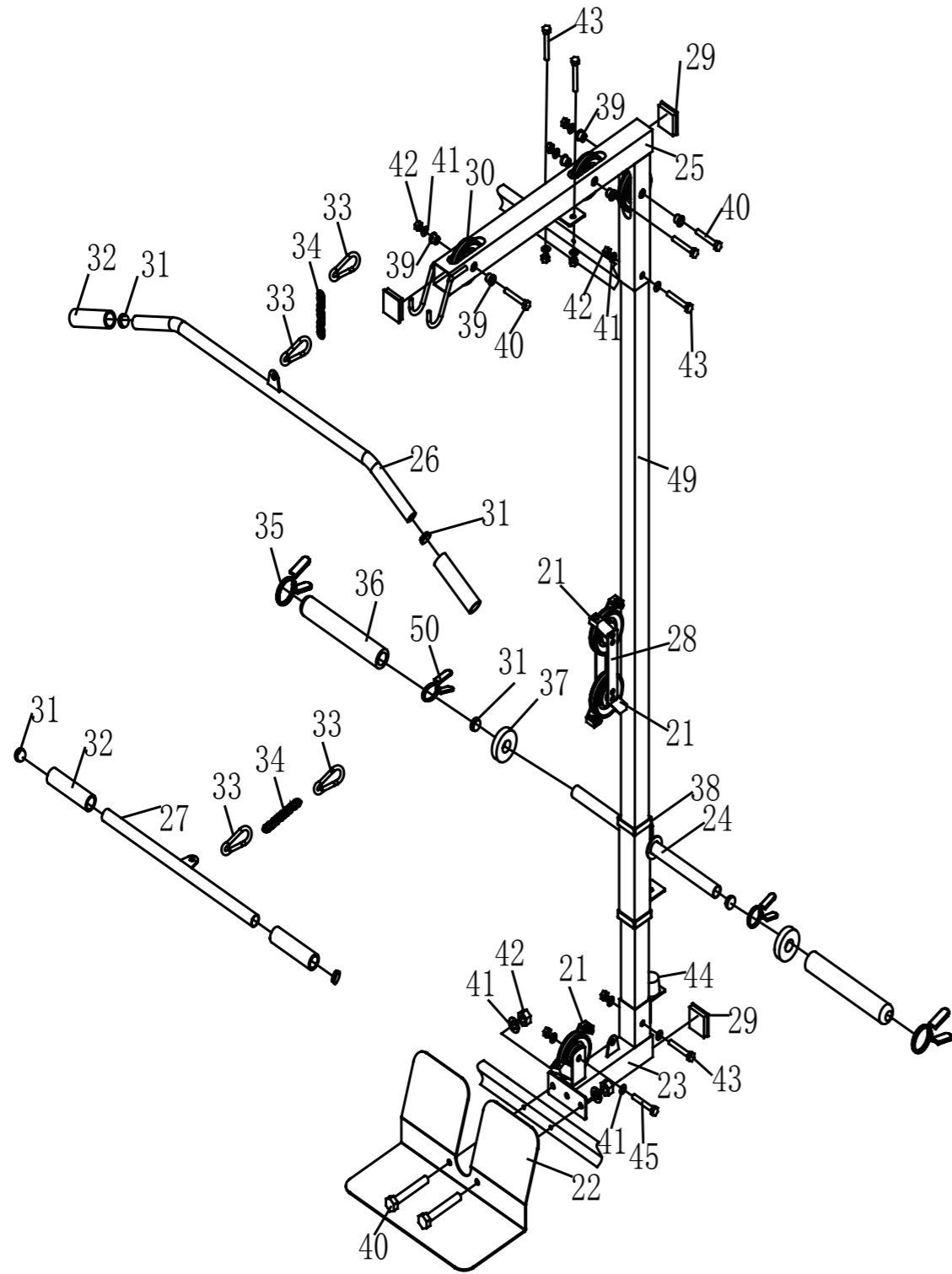
# PART LIST

## RK2 Lat Attachment

Part No.	Description	QTY	Part No.	Description	QTY
21	Pulley Shield	5	36	Olympic Set	2
22	Tread Plate	1	37	Rubber Bumper	2
23	Lifting Frame Assembly	1	38	Insulating Sleeve	2
24	Sliding Weight Post	1	39	Bushing	6
25	Upper Pulley Assembly	1	40	M10 x 70mm Bolt	5
26	Lat Bar	1	41	M10 Washer	18
27	Short Lat Bar	1	42	M10 Locknut	12
28	Pulley Plate	2	43	M10 x 65mm Bolt	4
29	50mm Square Inner Cap	3	44	Cone-shaped Cushion	1
30	Pulley	6	45	M10 x 45mm Bolt	3
31	25mm Round Inner Cap	6	46	Long Wire Rope	1
32	Short Foam	4	47	Short Wire Rope	1
33	Pothook	6	48	M10 Nut	1
34	Chain	2	49	Regulating Tube	1
35	Big Butterfly Clip	2	50	Small Butterfly Clip	2

# EXPLODED VIEW DRAWING

RK2 Lat Attachment



**Note:** For some parts may be not shown in this exploded drawing, please find them in cable assembly instructions from page 05-06.

# ASSEMBLY STEP

RK2 Lat Attachment

## STEP 1

1. The Regulating Tube [49] must insert the Sliding Weight Post[24].
2. Attach the Regulating Tube [49] to the Lifting Frame Assembly [23] with one M10 x 65mm Bolt [43], two M10 Washers [41] and one M10 Locknut [42].
3. Attach the Upper Pulley Assembly [25] to the Regulating Tube [49] with one M10 x 65mm Bolt [43], two M10 Washers [41] and one M10 Locknut [42].
4. Attach the Lower Connected Frame (7) and Tread Plate [22] to the Lifting Frame Assembly [23] with two M10 x 70mm Bolts [40], M10 Washers [41] and M10 Locknuts [42].
5. Attach the Upper Connected Frame [6] to the upper pulley assembly with two M10 x 70mm Bolts [40], M10 Washers and M10 Locknuts [42].
6. Attach the Cone-shaped Cushion [44] into the Lifting Frame Assembly [23] with one M10 Washer [41] and M10 nut [48].
7. Attach the Long Wire Rope [46] to the Lat Bar [26] with one Pothook [33].
8. Draw the Rope [46] around the Pulleys (NO.1&NO.2) on top of the Upper Pulley Assembly [25] then downward. Secure it with two M10 x 70mm Bolts [40], two M10 Washers [41], four Bushings [39] and two M10 Locknuts [42].
9. Draw the Rope [46] around the pulley (NO.3) then upward. Install one Pulley and two Pulley Shield [21] to two Pulley Plates [28]. Secure it with one M10 x 45mm Bolt [45], two M10 Washers [41] and one M10 Locknut [42].
10. Draw the Rope [46] upward to the Pulley (NO.4) on one side of the Upper Pulley Assembly [25] then downward. Secure it with one M10 x 70mm Bolt [40], one M10 Washers [41], two Bushings [39] and one M10 Locknut [42].
11. Attach the Long Wire Rope [46] to the Sliding Weight Post [24]. Secure it with one Hoist Hook [33].
12. Attach the Short Wire Rope [47] to the short Lat bat [27] with two Pothook [33] and one Chain [34].
13. Draw the Short Wire Rope [47] around the pulley(NO.5) then upward. Install one Pulley and Pulley Shield [21] to the Lifting Frame Assembly [23]. Secure it with one M10 x 45mm Bolt [45], two M10 Washers [41] and one M10 Locknut [42].
14. Draw the Short Wire Rope [47] around the pulley(NO.6) then downward. Install one Pulley and two Pulley Shield [21] to two Pulley Plates [28]. Secure it with one M10 x 45mm Bolt [45], two M10 Washers[41] and one M10 Locknut [42].
15. Attach the Short Wire Rope [47] to the Lifting Frame Assembly [23] with one Pothook [33].

# ASSEMBLY STEP

## RK2 Lat Attachment

